

# OTIS

## OI-1002WEP Audible Alarm

### Explosion Proof Power Alarm Siren

The TOMAR model 1002WEP Explosion Proof Power Alarm siren is a rain tight, solid-state audible alarm that features a choice of 8 field selectable tones plus remote control selection of 4 tones with priority. All models of 1002WEP alarms are o-ring gasketed and are UL listed.



### Product Features

- Weatherproof Construction
- 8 Selectable Tones with Remote Control Selection of 4 Tones with Priority
- Operating Temperature Range of -55°C to 85 °C
- UL Listed, NEMA Type 4X and Marine Outside (Saltwater) Use

### Tones

- S1: Continuously Running Train of 8 Sounds in Sequence
- S2: Wail - Conventional Siren
- S3: Yelp - Rapid Siren
- S4 - Two Tone
- S5: Whoop - Ascending Low-High
- S6: Yeow - Descending High-Low
- S7: Horn - Steady
- S8: Beep - Slow Intermittent Horn

\* Priority 1 is the Highest

- S9: Stutter - Rapid Intermittent Horn
- S0: REMOTE - Enables Remote Selection of:
  - S7: Horn - Steady (Priority 1\*)
  - S4: Two Tone - Alternating (Priority 2)
  - S3: Yelp - Rapid Siren (Priority 3)
  - S1: Wail - Manual Siren (Priority 4)



301 S. Texas Avenue  
Bryan, Texas 77803  
P: 979-776-7700

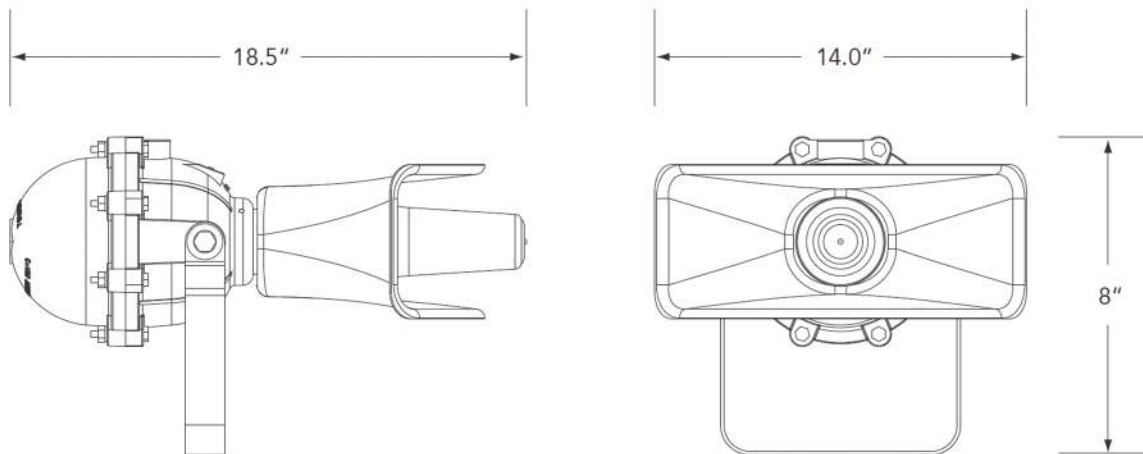
sales@otisinstruments.com

# OI-1002WEP Audible Alarm

Explosion Proof Power Alarm Siren

## OI-1002WEP Product Specifications

Volume	S7-110dbA @ 10 Feet
Mounting	Omni-Directional Mounting Bracket, 1/2" Conduit Access
Tamb Temperature Range	-55°C to 85°C
Voltage and Amperage	24 VDC Draws 0.8 A, 50/60 Hz or DC 120 VAC Draws 0.2 A, 50/60 Hz 240 VDC Draws 0.1 A, 50/60 Hz
Enclosure Construction	Weatherproof (Rain Tight) Construction Fiberglass Horn Cast Aluminum Housing
Optional Accessories	1001-WEP: 60 Watt Speaker Only, Less Sound Module RJ45-6: Remote Control Cable and Plug
Dimensions	14 W x 8 H x 18.5 L in.
Weight	19.5 lbs.
Certifications & Approvals	Class I, Division 1, Groups C & D Class I, Division 2, Groups A, B, C & D Class II, Division 2, Groups F & G NEMA 4X Marine Outside (Saltwater) Rated



Manufactured By:

TOMAR Electronics, Inc.  
2100 W. Obispo Ave.  
Gilbert, AZ 85233 USA  
Phone: (800) 338-3133  
www.tomar.com

