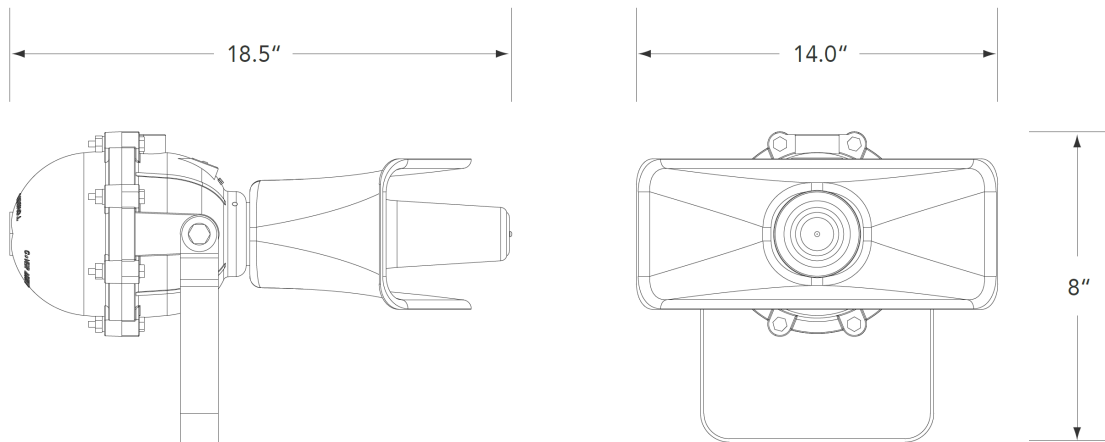


OI-1002WEP-24

The OI-1002WEP Explosion-Proof siren is a rain-tight, solid-state audible signaling device engineered for reliable performance in hazardous environments. It features eight field-selectable tones, along with remote capability to select four priority tones, providing flexibility for a wide range of alarm applications.

All 1002WEP models are sealed with O-ring gaskets for enhanced environmental protection and durability. The unit is UL listed for hazardous locations, including Class I, Division I, Group C & D; Class I, Division 2, Groups A, B, C, & D; and Class II, Division 2, Groups F & G. It is also rated NEMA Type 4X and approved for marine and saltwater environments, ensuring long-term reliability in corrosive and demanding conditions.



Corporate Office  
301 S. Texas Avenue  
Bryan, Texas 77803

[sales@otisinstruments.com](mailto:sales@otisinstruments.com)  
[www.otisinstruments.com](http://www.otisinstruments.com)

Midland Office  
3308 Norden Drive  
Midland, Texas 79706

# Class I Div I Siren

## Product Specifications

Volume	S7—110dbA at 10 feet
Voltage and Amperage	24VDC draws 0.8A 50/60 Hz or DC 120VAC draws 0.2A 50/60 Hz 240VAC draws 0.1A 50/60 Hz
Enclosure Construction	Weatherproof construction, fiberglass horn, cast aluminum housing
Mounting	Omni directional mounting bracket, 1/2" conduit access
Ambient Temperature Rating	-55 C to + 85 C (-67 F to +185 F)
Size and Weight	14" W x 8" H x 18.5" L
Weight	19.5 lbs (8.9 kg)
<b>Selectable Tones:</b>	
S1	Continuously running train of 8 sounds in sequence
S2	Wail—conventional siren
S3	Yelp—rapid siren
S4	Two—tone
S5	Whoop—ascending low-high
S6	Yeow—descending high-low
S7	Horn—steady
S8	Beep—slow intermittent horn
S9	Stutter—rapid intermittent horn
S0	REMOTE—enables remote selection of: S7 Horn—steady (priority 1*) S4 Two Tone—alternating (priority 2) S3 Yelp—rapid siren (priority 3) S1 Wail—manual siren (priority 4)